



BMS-L05E-MSW-DC-BLE-KL



**BMCA-L102-V1
Control Adapter**

DESCRIPTIONS

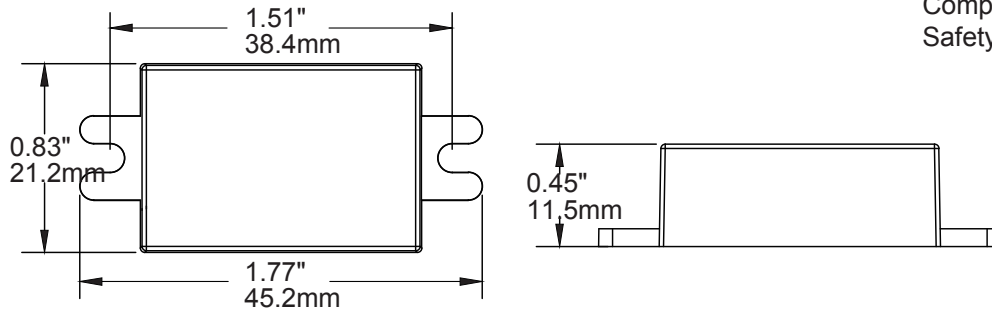
BMS-L105E-MSW-DC-BLE-KL
Microwave Occupancy Sensor: Support setting delay time and Bi-level dimming of sensors through APP. Sensitivity Adjustment available to 0-100%. Powered by Control Adapter.

BMCA-L102-V1 Control Adapter
The BMCA-L102-V1 series are designed for Luminaire Level Lighting Control with sensor ready function. BMCA-L102-V1 provides sensor port for Eco Sensor connection. BMCA-L102-V1 has two SKU single channel and dual channel 0-10V output.

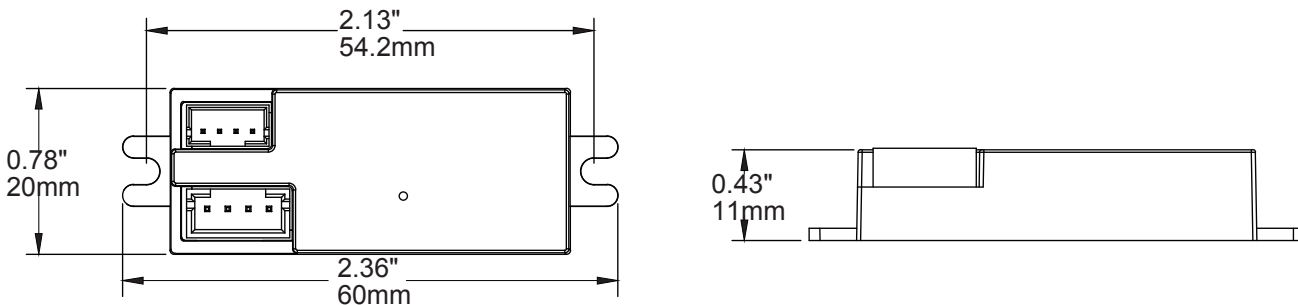
PHYSICAL DIMENSIONS

Unit: inch/mm

Sensor



Control Adapter



TECHNICAL DATA

Input Voltage: DC 12V
Input Current: 45mA Max
Input Power: 0.5W
Output Voltage: DC 10V
Output Current: 10mA Max
Output Power: 0.1W
Dimming: Class 2, 0-10V DC 10mA Max
Sinking Current: 10mA Max

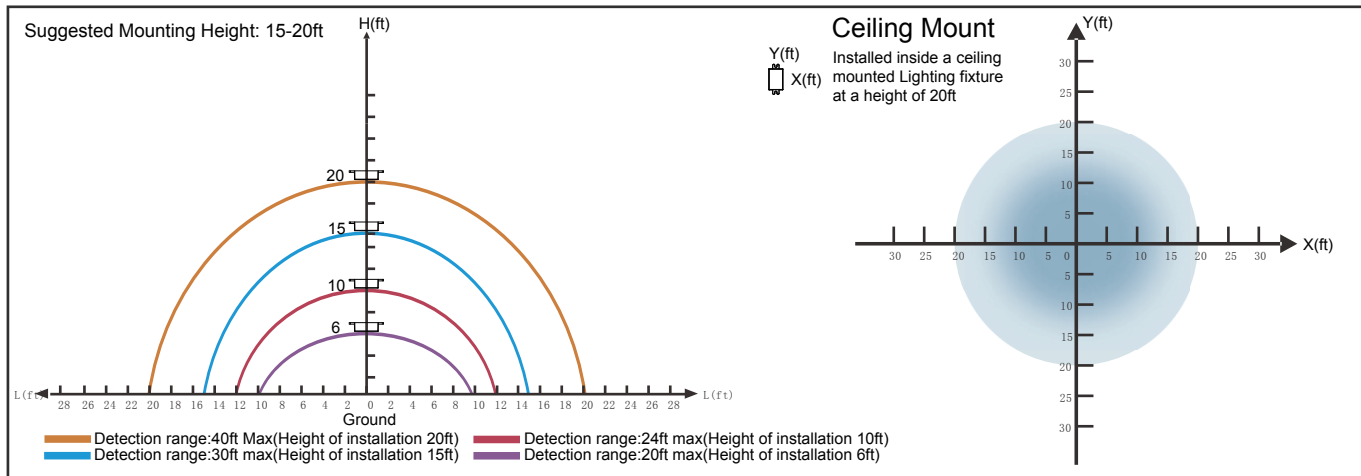
Bluetooth Transmit: 200ft Max
Radio Frequency: 2.4GHz ± 75MHz
Bluetooth Version: 4.2
Housing Material: UL 94-V0,
Indoor/Outdoor Use
Detection Range: 40ft Max.
Mounting Height: 20ft Max.
Operating Temperature: -30°C to 55°C,
-22°F to 131°F
Storage Temperature: -30°C to 85°C,
-22°F to 185°F
IP Rating: IP20
Color: White
Warranty: 5 years warranty

Comply to UL8750, UL1376, RoHS
Safety: cULus Recognized Component

ORDERING INFORMATION

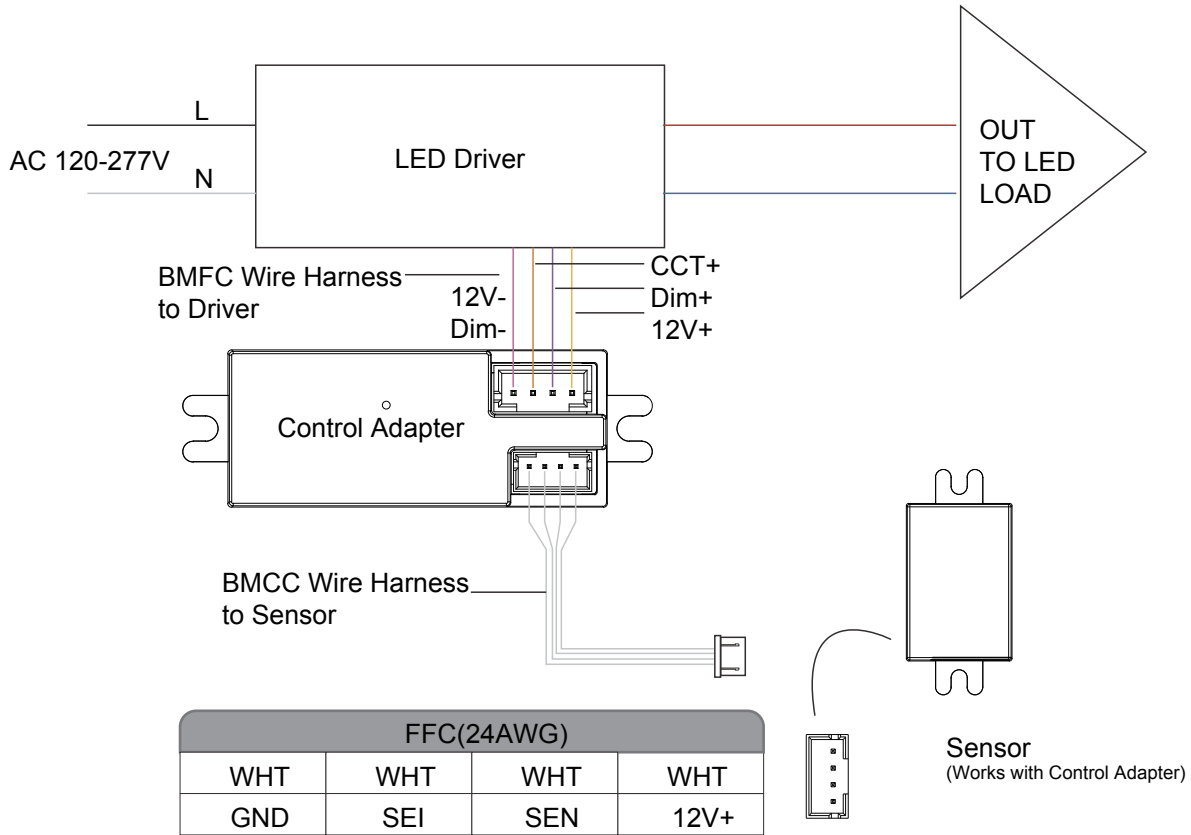
Model No.	Description
BMS-L105E-MSW-DC-BLE-KL	Microwave & Sensitivity Adjustment Sensor for Low Bay Applications Powered by Control Adapter or Smart LED Driver Fixture Integrated
BMCA-L102-SC-DC-BLE-KL-V1	Control Adapter DC 12V Single Channel 0-10V
BMCA-L102-DC-DC-BLE-KL-V1	Control Adapter DC 12V Dual Channel 0-10V
BMCC30	Wiring Harness between controller and sensor, 24AWG , 300V Length:300mm, PH2.0-4P terminal on both side
BMCC60	Wiring Harness between controller and sensor, 24AWG , 300V Length:600mm, PH2.0-4P terminal on both side
BMCC120	Wiring Harness between controller and sensor, 24AWG , 300V Length:1200mm, PH2.0-4P terminal on both side
BMFC30	Wiring Harness between controller and driver, 22AWG , 300V Length:300mm, XH2.54-4P terminal on left side, dip tin 10mm on right side
BMFC60	Wiring Harness between controller and driver, 22AWG , 300V Length:600mm, XH2.54-4P terminal on left side, dip tin 10mm on right side

COVERAGE



WIRING DIAGRAM

Ref#: 20240117



WARRANTY

Five year limited warranty.

Specifications subject to change without notice.